

VESSEL

***AIR IMPACT WRENCH
GT-2000P/2000PL***

Instruction Manual



VESSEL Co., Inc.

For Safe Use

Thank you very much for having purchased the "VESSEL Air Impact Wrench GT-2000P/2000PL."

Please read this manual carefully and understand its contents for the safe and correct use of the air tool.

Description

The air impact wrench is a hand-held pneumatic tool that is driven by compressed air. It incorporates in itself the impact-driven rotation mechanism for tightening/loosening screws, bolts, nuts, and other fastening devices.

Warning: Read these instructions carefully before operating, maintaining or servicing this tool.

- The following icons represent the degree of danger that can be induced by user's action or environment. Please observe all the instructions presented in this manual as they are important for personal and public safety.
- ⚠ Warning Indicates possibility of serious or fatal injuries when instructions are not followed.
- ⚠ Caution Indicates possibility of injuries or property damage when instructions are not followed.
※Depending on circumstances, failure to follow the instructions given in the "Caution" section could lead to serious consequences.
- Please keep this manual for your ready reference.
- In case this manual or any of the warning labels attached to the unit are lost or damaged, contact us or the local distributor for replacement.
- Please make sure this manual be kept with the unit when it is handed over or lent out to a third party.

If you have any inquiries about this product or manual, please contact us or your local distributor.

⚠ **Warning Please read this manual carefully and understand the contents fully before use.**

⚠ **Warning ■ Compressed air management**

● **Specified air pressure should be applied.**

Excessive air pressure may lead to serious accidents or property damages. Install proper equipment including a pressure gauge and a reduction valve in order to keep the dynamic pressure at the tool end within the specified range.

● **Only compressed air should be applied.**

The air impact wrench is a tool driven by normal compressed air. There will be a risk of explosion if other high-pressure gases like oxygen, acetylene, and propane are used for the tool.

● **Choose the appropriate air hose.**

Use oil- and abrasion-resistant air hoses for the required air pressure and of the recommended inner diameter. Avoid using deteriorated or excessively long hoses.

● **Prevent air leakage.**

Make sure that air plugs be firmly attached to the air hose. If the air hose comes off due to loose connection, it will bounce around by the force of compressed air and may cause personal injuries or property damages.

△ **Warning** ■ **Work environment**

● **Keep the work area clean and bright.**

Dark or cluttered work environment leads to accidents. Keep the area tidy and well-lit.

● **Do not use the air tool in explosive atmosphere.**

This unit may create sparks, which may cause explosion.

△ **Warning** ■ **Work clothes**

● **Wear appropriate work clothes.**

Do not wear baggy clothes, accessories, etc, which might be caught in revolving parts. Long hair should be tucked under a cap to keep it away from the tool.

● **Wear protective gears.**

Wear protective gears suitable for the task, including a helmet, protective goggles, earplugs, a dust mask, anti-vibration gloves and safety shoes, etc.

△ **Warning** ■ **General precautions**

● **Beware of moving parts.**

Keep your hands and cloth away from the moving parts as

they may be caught in them.

● **Keep a good posture while working.**

Keep a good posture and hold the tool firmly in case of an unexpected situation.

● **Avoid accidental start-up.**

Make sure the trigger is released before connecting the air hose to the unit. Be careful not to press the trigger when carrying the air tool.

● **Hang the tool securely.**

If the tool is suspended by a balancer, etc. check whether the equipment is securely installed. Conduct a regular maintenance on the suspending equipment as well.

● **Keep the tool away from electricity.**

The air tool is not insulated against electricity.

● **Stop using the tool if you notice any abnormalities.**

If you notice any abnormalities, stop using the tool immediately and contact us or your local distributor for maintenance, inspection, and repair.

△ **Warning** ■ **Miscellaneous**

● **Use the tool only for its intended applications.**

It may lead to an unexpected accident if the tool is used for purposes other than those specified in the manual.

● **Do not attempt any modification.**

Do not modify the unit. Any modification will void the warranty and may cause a hazardous situation.

● **Do not remove any parts.**

Also, do not use the tool if any of its parts or screws has been removed or missing. It may result in a hazardous situation.

● **Shut off the air supply and detach the air hose from the tool;**

- when the tool is not in use
- when the tool is kept in storage
- when maintenance is performed
- when the tool tip (bits / sockets) is replaced
- when there is any sign of danger or malfunction

⚠Caution ■Basic precautions for operating air tools

●Pay attention.

Stay alert while using the air tool and do not act thoughtlessly. Also, avoid using the tool when you are tired or under the influence of drug, alcohol, or medication.

●Keep bystanders away.

Do not let bystanders get close to your operation. Especially, children should be kept away.

●Do not overload the air tool.

If the tool is operated beyond the specified output range, it will damage the tool and lead to malfunction.

●Beware of the exhaust port.

Direct the exhaust air away from your eyes and ears. Otherwise, it can cause accidents or diseases as it contains oil and it may blow grit or other debris in your face.

●Handle the tool with care.

Do not throw or drop the tool. It may lead to damage or malfunction if it is handled roughly or forcefully.

●Do not abuse the air hose.

Do not carry, raise or lower the tool by the air hose. Damaged hoses increase the risk of accidents.

●Do not drop the tool from a high place.

Equipment like a safety strap should be used to prevent the tool from falling when working at high places.

●Store the tool in a safe place.

If the tool is not to be used for a period of time, conduct maintenance and keep it in a safe, dry place. It should be kept out of the reach of children.

●Be aware of laws.

There are laws and regulations that may regulate or limit the use of this product. Please make sure that the use of this product does not violate any laws and regulations.

●Take breaks.

Continuous work without taking appropriate breaks could lead to illness, take breaks as required. If you feel abnormalities, such as pain, immediately stop using the tool



Caution

and consult a physician.
■ **Maintenance, inspections and repairs**

● **Check before use.**

Make sure the unit has no loose screws/bolts and fittings and no damaged parts. If the unit is operated despite such problems, it could lead to a hazardous situation as well as decrease the performance.

● **Conduct inspection and maintenance regularly.**

Regular inspection and maintenance are necessary for safe and efficient performance of the tool.

● **Please contact us or the local distributor for repair or parts replacement.**

Never disassemble the unit or replace parts by yourself. Warranty on any of our products shall be void if defect is caused by abuse, neglect, improper repair, improper fit, or any use unintended by the manufacturer.

Prior to Use

- Open the package and check if all the parts are inside without shortage and damage.
- Be sure to read and understand this manual thoroughly before handling this product.
- Keep the instruction manual in hand and refer to it whenever needed.
- Store the instruction manual in a safe place. If the manual is lost or damaged, contact us or your local distributor for a new copy.

Applications

- This product is an air tool that uses compressed air as its power source and has been designed and developed for tightening and loosening bolts/nuts.

This air tool should not be operated;

- * if the application is outside the specified operating range.
- * if any part of it has been modified or altered.
- * if normal compressed air is not available. Never use other power sources, such as oxygen, acetylene, and propane, etc.
- * near water or in ignitable environments.
- * in any way unintended by the manufacturer.

Icons for safety instructions



This unit may cause vibration.



Wear protective goggles.



Wear earplugs.

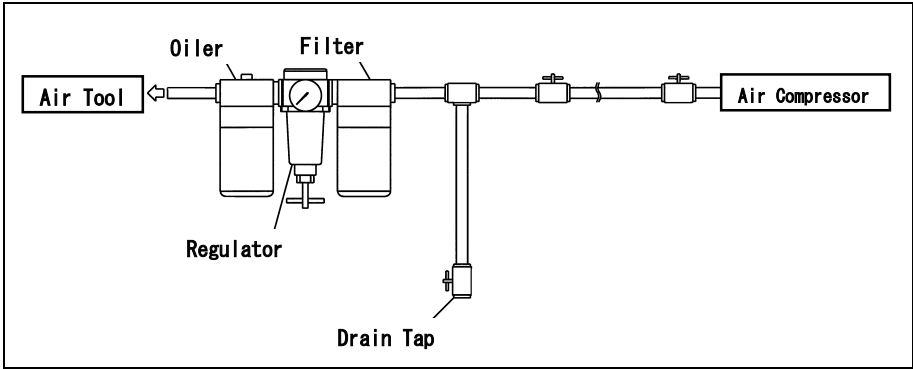


Read the manual before use.

How to use

English 日本語

PIPING MODEL



SPECIFICATIONS

Sound Level	L_{PA}	[dB]	89.9
	L_{WA}	[dB]	100.9
Vibrations Level		[m/s ²]	5.9
Uncertainty K		[m/s ²]	0.5

CE DECLARATION OF CONFORMITY

VESSEL CO.,INC. FUKAEKITA2-17-25,HIGASINARIKU,OSAKA,
JAPAN

PRODUCT: AIR IMPACT WRENCH

MODEL: GT-2000P/2000PL

DIRECTIVE: 2006/42/EC(98/37/EC) , EN 792

STANDARDS: ISO 20643(ISO 8662-1),ISO 28927-2(ISO 8662-7)
ISO 15744

declared vibration value in accordance with EN 12096

DATE: Dec/10/2008

APPROVED BY Yasushi Shiomi

- **For operating the tool, make sure to follow the procedures described in this instruction manual.**
- **Do not use the tool:**
 - * if the socket/bit is not properly mounted or not compatible in size.
 - * if the work environment does not allow you to keep a stable posture, secure a firm grip on the tool or to operate the tool properly.
 - * if the floor is slippery or not level.
 - * if it is used for other purposes than tightening or loosening screws.
 - * if it has been modified or has any parts missing or lost.
 - * if the input air pressure is higher than the specified value.
 - * if more than the specified working torque is required.
- **When the tool is not in use or left unattended, shut off the air supply and detach the air hose from it.**

Preparations before use

● **Check the air pressure**

The specified air pressure for this air tool is 0.6 MPa. Do not apply air pressure outside this specified range as it influences performance, lifespan and safety.

● **Remove the drain**

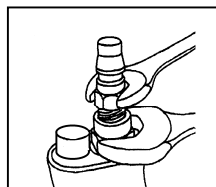
When moisture or impurities like rust in the pipe get into the mechanism, it may cause malfunction. Remove accumulated drain in the compressor before use. To secure dry air supply, install an air filter in order to prevent moisture and any impurities.

● **Use an appropriate air hoses**

Please refer to Specifications for choosing an air hose of the appropriate size for the applied air supply. If the internal diameter of the air hose is too small, sufficient power may not be obtained as air pressure cannot increase efficiently. It also happens when the hose is too long.

● **Install the plug**

Use a spanner of No.19 to hold Air Inlet Bushing and fasten the plug.



●Air coupling

When using the air coupling included in the package, purchase a compatible connector. When connecting a hose directly to this product, purchase a hose connection coupling. In both cases, check the size of the connected hoses.

●Before the first operation after purchase

When this air tool has been newly installed or the air hose has been replaced, blow and clean the inside of the hose and piping. Then, idle the device for a few seconds because lubricant within the mechanism has to be blasted out with exhaust air.

●Lubrication

Lubricate the unit regularly for smooth operation of the motor part and to remove impurities. If you install a lubricator, it will lubricate the tool automatically. Or, you can lubricate manually from the air supply port before or after use. (ISO VG10 or equivalent hydraulic oil.)

●Idle the unit after lubrication

Please idle the unit for several seconds after lubrication has been conducted because oil will be discharged with exhaust air. Do not idle the unit while a tip tool is attached.

●Tool tips (sockets / bits / extension bars, etc.)

Do not install a tip for hand tools. There will be a risk of accident as the tip may be destroyed. Be sure to use a tip for power tools.

●Tightening bolts/nuts

To tighten bolts/nuts, first tighten bolts/nuts by hand for a couple of thread pitches. After tightening is complete, immediately release the lever and stop the tool. Excessive tightening will cause bolts to be broken and life of the hammer parts to wear/tear quickly.

●When bolts/nuts cannot be loosened

In case bolts/nuts cannot be loosened or tightened as required, please adopt an impact wrench with a higher capacity.

●Keep the tool away from organic solvents

Be aware that dipping the tool in the organic solvents will deform the tool.

●In cold areas

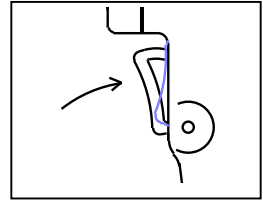
Moisture inside the tool may freeze in winter. Be sure to lubricate the tool to remove the moisture after use.

How to use the tool

How to use the tool

● Starting and stopping

1. Connecting the air coupling.
2. Supply air with a compressor.
3. Press the throttle lever to start the unit.
4. Release the throttle lever to stop the unit.

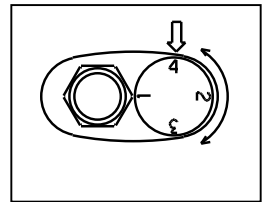
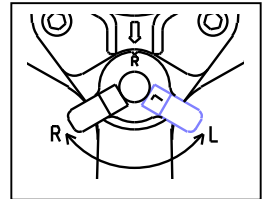


● Changing the direction of rotation.

When the Reverse Valve is set to "R" it rotates clockwise.

When it is set to "L," it rotates counter clockwise.

Do not operate the Reverse Valve while pressing the throttle lever.



● Adjusting the torque.

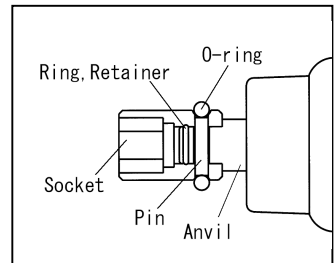
Torque can be adjusted by the Air Regulator.

"1" is the minimum and "4" is the maximum.

● Installing sockets.

There is a pinhole on the point of the anvil
(Drive part).

Align the pinholes of the socket and anvil
and attach the socket with the pin and O-Ring.
Install as shown in the figure.



If it is not securely attached, the socket or bit may detach and fly off.

Do not attach the socket or bit when the tool is idling.

How to use the tool

About handling

- * Do not touch any rotating parts. It is very dangerous and could lead to injury.
- * Do not idle the tool without load.
- * Confirm the rotation direction before starting the unit.
- * Be sure to turn off the air, when work is finished as well as when bits/sockets and the parts are to be changed.
- * Do not direct the exhaust towards people or fire. The exhaust is dangerous since it contains oil.
- * Do not touch the tip tool and screws immediately after the work because they became hot from friction during work.
- * When you notice any abnormalities, stop working and turn off the air supply.

Maintenance / Repairs

- We recommend periodic inspections for safe, worry-free use. If inspections are neglected, it may affect the performance, lifespan and safety of the product.
- Inspection (maintenance) should be conducted only by those who carefully read and fully understood the instruction manual for this product.
- Contact the local distributor for repairs. Do not repair the unit by yourself.

Points of regular maintenance

When conducting maintenance, be sure to remove the hose coupling and do not supply any air.

The durability of parts depends on how frequently the unit is used.

Please apply for inspection / repairing in case you notice any abnormality in impact and revolving sounds. (eg. in case of any abnormalities in the rhythm of hammering, deterioration in efficiency, and working torque degradation).

Maintenance / Repairs

●Anvil (drive part on the tip)

Worn out ... It will deteriorate the performance and decrease efficiency.

Early replacement of parts is recommended.

Cracks Stop using and seek professional help for repair.

●Socket

Worn out square and hexagonal heads

..... It may deteriorate the performance and the socket may detach from the anvil.

Cracks Stop using and replace it with a new one.

●Hose couplings

Loose screws Tighten them since it is dangerous if the hose comes off.

Worn out Replace with new parts since the coupling may come off if the connection is loose.

●Throttle lever

Return condition ... Confirm whether the lever returns properly. It is very dangerous to use the tool continuously if the lever does not return properly because the tool will start suddenly after connected. If the lever does not return, please request repairs.

●Bolts for each part

Loose bolts It may lead to air leaks and malfunctions. Please re-tighten the bolts.

●Surface damage

Cracks Stop using and request repairs.

Troubleshooting

日本語 English

Troubleshooting

Trouble	Cause	Action
1. No rotation	Air is not provided.	Turn on the air.
	The hose is twisted.	Straighten the hose.
	Air pressure is low.	Adjust the air pressure.
	Parts are rusted due to a lack of lubrication.	Lubricate the unit.
	Dirt contamination.	Request overhaul
2. Rotation is uneven.	Malfunction (worn out / damaged, etc.) on motor and hammer.	Request for parts replacement
	Rate of air flow is inadequate.	Confirm air flow rate.
	Air pressure is low.	Adjust air pressure.
3. Rotation does not stop.	Parts are rusted due to a lack of lubrication.	Lubricate the unit.
	Change of shape of the Throttle Pin.	Request for parts replacement
	Change of shape of the Throttle Valve.	Request for parts replacement
	Breakage of throttle valve.	Request for parts replacement
4. Reverse Valve / Air Regulator is loose.	Contamination by a foreign substance in the throttle valve.	Request overhaul valve.
	Stop spring is worn out, damaged or rusted.	Request overhaul
5. Reverse Valve / Air Regulator does not work.	Rust and dirt contamination.	Request overhaul
6. Socket is loose.	Breakage of socket pin.	Request for parts replacement
7. Air leakage	Trouble with the valve (O-ring damage, ball rust, or worn-out, damaged and rusted springs etc).	Request for parts replacement

Troubleshooting

8.Abnormal noise	Spare parts came loose.	Request overhaul
	Worn out and damaged bearings.	Request for parts replacement
	Damage to the hammer case and impact part.	Request for parts replacement
	Worn out and damaged rotor blade.	Request for parts replacement
	The rotor blade does not come out at rotating.	Request for parts replacement
	Run out of lubrication and oil.	Lubricate the unit.
9.It rotates without a load but with a load it does not rotate and the power decreases.	Parts of the hammer are damaged.	Request for parts replacement
10.Water comes out.	The drain is clogged.	Clean the drain.

日本語

English

Request repairs immediately when the tool is in a defective and abnormal condition, etc., since it could lead to a product malfunction and accident. Please contact our distributor for repairs.

Storage

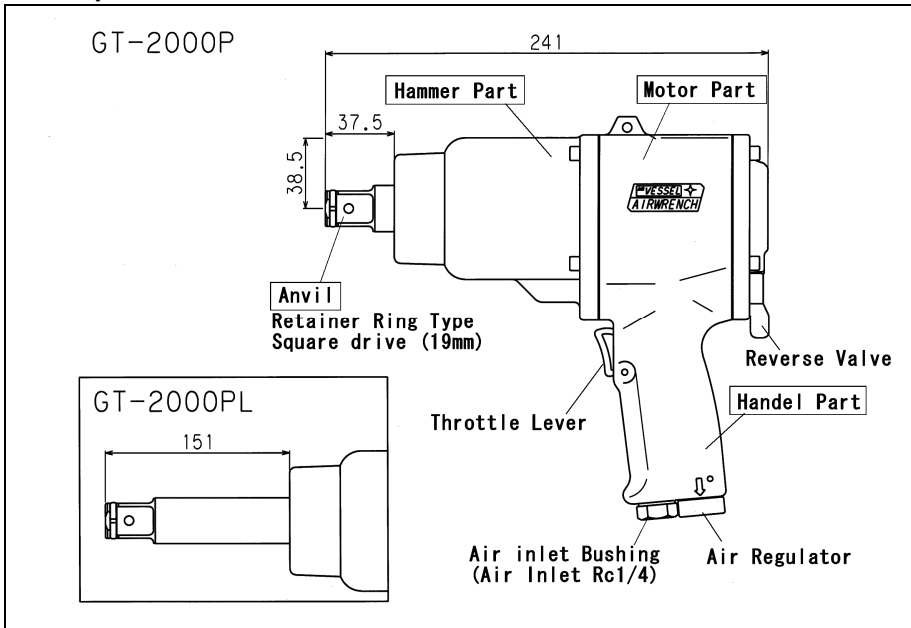
Please store the air tool in a safe location and be aware of dust, humidity, dew and freezing.

Exploded diagram drawing & Parts list

Specification	Unit	GT-2000P	GT-2000PL
Square Drive Size	mm	19.0	19.0
Capacity (Bolt Dia.)	mm	20	20
Working Torque Range	Nm	98.0~470.7	98.0~441.3
Weight	kg	4.3	4.7
Overall Length	mm	241	354
Free Load	rpm	5000	5000
Working Air Pressure	MPa	0.6	0.6
Air Consumption	m ³ /min	0.45	0.45
Air Compressor	kw	1.5 or bigger	1.5 or bigger
Air Hose Inner Dia.	mm	9.5	9.5
Hose Coupling	Rc	1/4	1/4

Accessories	GT-2000P	GT-2000PL
VESSEL Air Coupling (BPB-2)	1 pc	1 pc
"L" Wrench (A/F 5mm)	1 pc	1 pc

Description

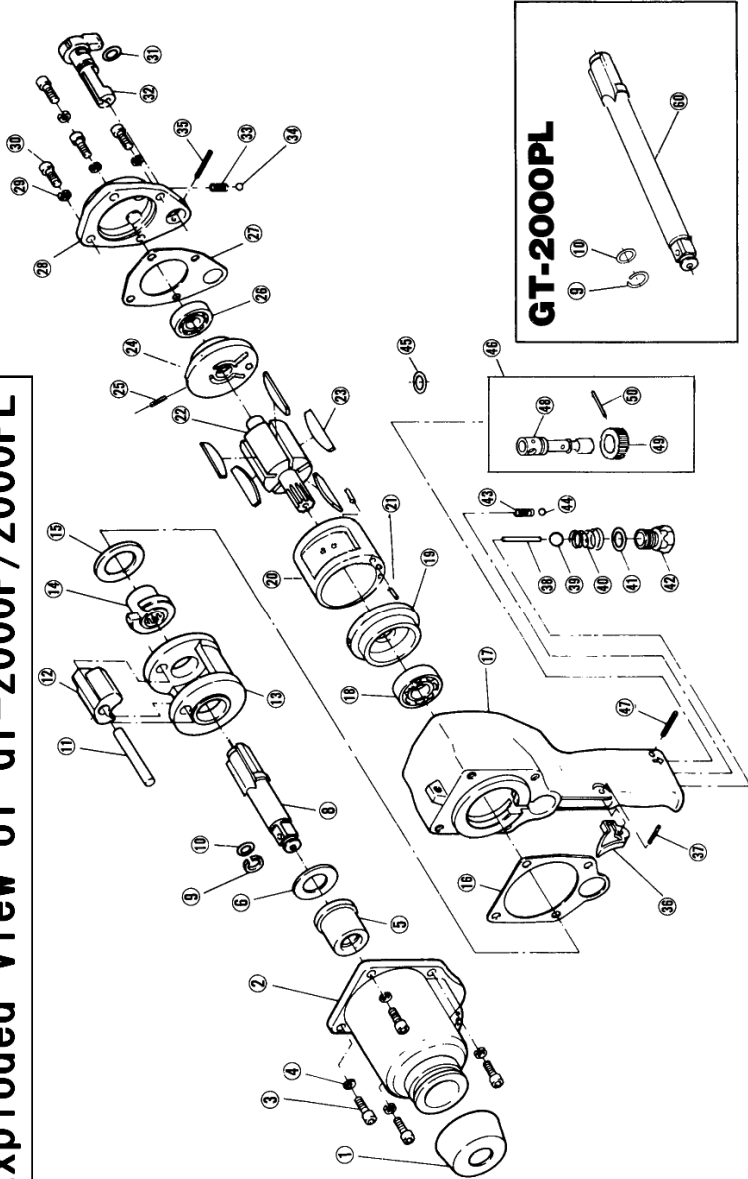


Exploded diagram drawing & Parts list

日本語

English

Exploded View of GT-2000P/2000PL



Exploded diagram drawing & Parts list

Index No.	EDP No.	Description	Size	Number Required per unit.
1	833601	Cover Seal		1
2	833602	Hammer Housing Complete		1
3	833603	Hex Cap Bolt	※M6 × 22	4
4	833604	Washer, Spring	※M6	4
<5>	833605	Bushing, Pressed	(Installed No. 2)	1
6	833606	Washer, Thrust		1
8	833608	Anvil Complete (2000P)		1
<9>	833609	Ring, Retainer	(Installed No. 8・60)	1
<10>	833610	O- Ring, Retainer	※P14 (Installed No. 8・60)	1
11	833611	Pin, Hammer		1
12	833612	Hammer		1
13	833613	Frame, Hammer		1
14	833614	Driver		1
15	833615	Shim		1
16	833616	Front Gasket, Motor Housing		1
17	833617	Motor Housing, Complete		1
<18>	833618	Bearing	※6202 (Installed No. 19)	1
<19>	833619	Endplate Complete, Front	(Installed No. 17)	1
<20>	833620	Cylinder Complete	(Installed No. 17)	1
<21>	833621	Pin, Cylinder	※SP3 × 10 (Installed No. 20)	2
22	833622	Rotor		1
23	833623	Blade, Rotor		5
24	833624	Endplate Complete, Rear		1
<25>	833625	Pin, Rear Endplate	※SP3 × 8 (Installed No. 24)	1
<26>	833626	Bearing	※6202 (Installed No. 24)	1
27	833627	Rear Gasket, Motor Housing		1
28	833628	Backplate Complete		1
29	833629	Washer, Spring	※M6	4
30	833630	Hex Cap Bolt	※M6 × 22	4
31	833631	O-ring, Reverse Valve	※P11	1
32	833632	Valve, Reverse		1
<33>	833633	Spring	S3.8 × 7 × 0.5 (Installed No. 28)	1

Exploded diagram drawing & Parts list

<34>	833634	Ball, Valve, Reverse	※4mm (Installed No. 28)	1
35	833635	Pin, Valve, Reverse	※SP3 × 22	1
36	833636	Lever, Throttle		1
37	833637	Pin, Throttle Lever	※SP3 × 16	1
38	833638	Pin, Throttle		1
39	833639	Ball, Valve	※3/8	1
40	833640	Spring, Throttle Pin		1
41	833641	O-ring, Air Inlet Bushing	※P12	1
42	833642	Bushing, Air Inlet	Rc1/4	1
<43>	833643	Spring	S3.8 × 7 × 0.5 (Installed No. 17)	1
<44>	833644	Ball, Air Regulator Retainer	※4mm (Installed No. 17)	1
45	833645	O-ring, Adjustment Valve	※P9	1
46	833646	Valve, Adjustment Complete		1
47	833647	Pin, Valve, Adjustment	※SP3 × 20	1
48	833648	Valve, Adjustment		1
<49>	833649	Air Regulator	(Installed No. 46)	1
<50>	833650	Pin, Air Regulator	※SP3 × 22 (Installed No. 46)	1
60	833660	Long Anvil Complete (2000PL)		1

Parts with < > marked shall not be supplied individually even if ordered since it is an integrated component.

- The contents of this manual are subject to be changed without notice.



VESSEL

76, HAZEMIYA-MACHI 1-CHOME,
FUKUCHIYAMA-SHI, KYOTO, JAPAN
Tel.0773-27-1310
Fax.0773-27-1340

GB: EC DECLARATION OF CONFORMITY	— Individual machinery and safety components
F : DECLARATION DE CONFORMITE NORME CE	— Machine seule et composants de sécurité
D : CE KONFORMITÄTSERKLARUNG	— Gesamtmaschine und Sicherheitseinrichtungen
SP: DECLARACION DE CONFORMIDAD CE	— Maquinaria individual y componentes de seguridad
I : DICHIARAZIONE DI CONFORMITA CE	— Macchina singola e componenti di sicurezza
P : CE DECLARACAO DE CONFORMIDADE	— Maquinaria individual e dispositivos de segurança
NL: EG KONFORMITEITSVERKLARING	— Individuele machine en veiligheidscomponenten
DK: CE OVERENSSTEMMELSE DEKLARATION	— Enkle maskin og sikkerhedskomponenter
S : EG-DEKLARATION OM OVERENSSTAMMELSE	— Individuella maskiner och säkerhetskomponenter
N : EF OVERENSSTEMMELSESERKLÆRING	— Individuel maskine og sikkerhedsudstyr
FIN: VAATIMUSTENMUKAISUUSVAKUUTUS	— Erilliset koneistot ja turvalaitteet
G : EC ΔΗΛΩΣΗ ΣΥΜΜΟΡΦΩΣΗΣ	— Ατομικά μηχανήματα και εξαρτήματα ασφαλείας

We, **VESSEL CO., INC.** OSAKA JAPAN, declare under our sole responsibility that the products: to which this declaration relates is in conformity with the following Machinery Directive and Standard: Machinery Directive 89/392/EEC, 91/368/EEC, 93/44/EEC, 93/68/EEC, 2006/42/EC (98/37/EC).

Model / Modele / Modell / Modelo /
Modello / Modelo / Model / Model /
Typ / Model / Malli / Μοντέλο

GT-2000P/2000PL

Nous, **VESSEL CO., INC.** OSAKA JAPAN, déclarons sous notre responsabilité exclusive que le produit ci-dessous: est en conformité avec les exigences des déclarations communautaires concernant le rapprochement des législations des états membres relatives aux: Directives Machines 89/392/EEC, 91/368/EEC, 93/44/EEC, 93/68/EEC, 2006/42/EC (98/37/EC).

Wir, **VESSEL CO., INC.** OSAKA JAPAN, erklären hiermit unter alleiniger Verantwortung, daß das Produkt, auf das sich diese Erklärung bezieht, den Anforderungen der folgenden Maschinenrichtlinien und Standards entspricht: Maschinenrichtlinie 89/392/EEC, 91/368/EEC, 93/44/EEC, 93/68/EEC, 2006/42/EC (98/37/EC).

Nosotros, **VESSEL CO., INC.** OSAKA JAPAN, declaramos bajo nuestra sola responsabilidad, que el producto: al que se refiere esta declaración, está en conformidad con las siguientes Directivas y Standard de Maquinaria: Directiva Maquinaria 89/392/EEC, 91/368/EEC, 93/44/EEC, 93/68/EEC, 2006/42/EC (98/37/EC).

Noi, **VESSEL CO., INC.** OSAKA JAPAN, dichiariamo sotto la nostra unica responsabilità che il prodotto: cui questa dichiarazione si riferisce, è conforme alle seguenti: Direttive: Direttiva Macchine 89/392/EEC, 91/368/EEC, 93/44/EEC, 93/68/EEC, 2006/42/EC (98/37/EC).

Nós, **VESSEL CO., INC.** OSAKA JAPAN, declaramos sob nossa exclusiva responsabilidade que os produtos: a que se refere esta declaração está em conformidade com os requisitos e padrões da Directiva de Maquinaria: Directiva de Maquinaria 89/392/EEC, 91/368/EEC, 93/44/EEC, 93/68/EEC, 2006/42/EC (98/37/EC).

Wij, **VESSEL CO., INC.** OSAKA JAPAN, verklaren onder onze exclusieve verantwoordelijkheid dat de artikelen op dewelke deze verklaring betrekking heeft, in overeenstemming zijn met volgende Machine Direktieven en Standaarden: Machinery Directive 89/392/EEC, 91/368/EEC, 93/44/EEC, 93/68/EEC, 2006/42/EC (98/37/EC).

Vi, **VESSEL CO., INC.** OSAKA JAPAN, deklarerer under eneansvar at følgende produkter: som denne erklæring omhandler, er i overensstemmelse med følgende Maskin direktiv og standard: Machinery Directive 89/392/EEC, 91/368/EEC, 93/44/EEC, 93/68/EEC, 2006/42/EC (98/37/EC).

Vi, **VESSEL CO., INC.** OSAKA JAPAN, deklarerer under eget ansvar att produkten till vilken denna deklARATION relaterar sig är i överensstämmelse med de krav som finns i Rådets direktiv 89/392/EEC, 91/368/EEC, 93/44/EEC, 93/68/EEC, 2006/42/EC (98/37/EC).

Vi, **VESSEL CO., INC.** OSAKA JAPAN, deklarerer under eget ansvar at følgende produkter som denne erklæring omhandler, er i overensstemmelse med følgende Maskindirektiv og standard: Machinery Directive 89/392/EEC, 91/368/EEC, 93/44/EEC, 93/68/EEC, 2006/42/EC (98/37/EC).

Me, **VESSEL CO., INC.** OSAKA JAPAN, vakuutamme olevamme yksinomaissessa vastuussa siitä, että tämä tuote: johon tämä ilmoitus viittaa, on yhdenmukainen seuraavien konedirektiivien ja standardien kanssa: Konedirektiivi 89/392/EEC, 91/368/EEC, 93/44/EEC, 93/68/EEC, 2006/42/EC (98/37/EC).

Εμείς, η **VESSEL CO., INC.** OSAKA JAPAN, δηλώνουμε υπ' ευθύνη μας ότι τα προϊόντα στα οποία η δήλωση αυτή αναφέρεται, συμμορφώνονται με τις παρακάτω Κοινοτικές Μηχανολογικές Οδηγίες και Πρότυπα. Μηχανολογική Οδηγία 89/392/EEC, 91/368/EEC, 93/68/EEC, 2006/42/EC (98/37/EC).

Name of and position of issuer / Nom et fonction de l'émetteur / Name und Position des Erstellers / Nombre y cargo del expedidor / Nome e posizione del dichiarante / Nome e cargo do emissor / Naam en functie van de uitgever / Udsteder, navn og stilling / Utsleders navn og stilling / Utfårdarens namn och befattning / Ilmoituksen antajan nimi ja asema / Όνομα και θέση εκδότη

Yasushi Shiomi, Plant Manager

Signature of issuer / Signature de l'émetteur / Unterschrift des Erstellers / Firma del expedidor / Firma del dichiarante / Assinatura do emissor / Handtekening van de uitgever / Udsteder, underskrift / Utsleders signatur / Utfårdarens namnteckning / Ilmoituksen antajan allekirjoitus / Υπογραφή εκδότη

VESSEL Co., Inc.

Yasushi Shiomi

VESSEL

EC DECLARATION OF CONFORMITY

EC適合宣言書

Name of company VESSEL FUKUCHIYAMA CO., LTD.
社名 株式会社 ベツセル福知山

Address 76, HAZEMIYA-MACHI 1-CHOME FUKUCHIYAMA-SHI KYOTO 620-0856 JAPAN
住所 京都府福知山市土師宮町1丁目76番

Declares, in sole responsibility, that the product
独自の責任において、次の製品が

Model : GT-2000P/2000PL

Referred to this declaration conforms with the standard(s) or directive(s)
as far as applicable:
適用可能な範囲において次の指令または規格に適合していることを宣言する。

Standard : EN-792-6 : 2000
EN-12096
ISO 20643 (ISO 8662-1)
ISO 28927-2 (ISO 8662-7)
ISO 15744

Machinery Directive 2006/42/EC (98/37/EC)

The company named above will keep on file for review the following technical
Documentation:

上記の者は、以下の技術資料を査察に備え保持する。

- ・ Technical drawings 図面
- ・ Other technical documentation その他技術資料

Importer/Distributor

Kyoto Japan Dec. 10, 2008

(自筆サイン) Yasushi Shiomi

Yasushi shiomi
Engineering Dept.
VESSEL FUKUCHIYAMA CO., LTD.

CERTIFICATE OF INSPECTION

MODEL	GT-2000P/PL	SERIAL NO.	
-------	-------------	------------	--

We hereby certify that before shipment, above tool has been carefully inspected according to our factory engineering standard and the result has come out in satisfactory data. In order to maintain the best conditions of this tool, please be sure to take a few minutes to read through the instruction manuals and operate as recommended.

DATE _____

CHIEF INSPECTOR *Hiroyuki Adachi*

MANUFACTURED BY

VESSEL Co., Inc.**Manufactured by:****VESSEL Co., Inc.**

17-25, Fukae-Kita 2-chome,
Higashinari-ku, Osaka 537-0001 Japan
Tel : +81 6 6976 7778 Fax : +81 6 6972 9441
E-mail : export@vessel.co.jp
URL : <http://www.vessel.co.jp/english/>

VESSEL

AIR IMPACT WRENCH
GT-2000P/2000PL

取扱説明書

株式会社ベッセル

まえがき

このたびは「ベッセル・エアインパクトレンチ GT-2000P / 2000PL」をお買い上げいただきまして、まことにありがとうございます。

エアツールを安全に使用していただくために、ご使用前に必ず本書をよくお読みになり、内容を十分にご理解の上、正しくご使用ください。

製品説明

エアインパクトレンチは圧縮空気駆動式の手持ち空圧動工具です。ねじ、ボルト、ナット、その他ねじ部品を締めたり緩めるための衝撃回転機構が備わっています。

△警告: 下記項目内容を十分理解の上、本書をお読みください。

■安全上の注意事項は、次の見出しを掲げております。いずれも安全に関する重要な内容を記載していますので、必ずお守りください。

△警告 誤った取り扱いをした時に、使用者が死亡または重傷を負う可能性が想定される場合。

△注意 誤った取り扱いをした時に、使用者が障害を負う可能性が想定される内容、および物的損害のみの発生が想定される場合。

※「注意」に記載した事項でも、状況によっては重大な結果に結びつく可能性があります。

■本書はご使用される方が、いつでも利用できる場所に大切に保管し、繰り返しお読みください。

■本書および製品に貼付されている警告表示ラベルを紛失または汚損された場合は、弊社もしくはご購入の販売店を通じ、速やかにお取り寄せの上、正しく保管または貼付してください。

■当製品を譲渡もしくは貸し出される場合は、本書を必ず添付してください。

お買い上げの製品または本書の内容についてご質問がございましたら、弊社もしくは、お買い上げの販売店までお問い合わせください。

△警告 ご使用前に必ず本書をよくお読みになり、内容を十分にご理解の上、正しくご使用ください。

△警告 ■エアツールの作動環境は
●適正な空気圧力で使用してください。

安全にお使いいただくために

指定空気圧力以上での使用は製品の破損・事故の原因となりますので、圧力計、減圧弁等を設置して、必ず適正な空気圧力(手元動圧)で使用してください。

●**エアコンプレッサ以外の動力源を使用しないでください。**

エアツールはエアコンプレッサによる圧縮空気を動力源とする工具です。圧縮空気以外の高圧ガス(酸素・アセチレンガス・プロパンガス等)を使用すると爆発の危険があります。

●**適正なエアホースを使用してください。**

エアホースは耐油性で外面が耐摩耗性を有し、規定内径以上の作業空気圧力に適合したものを使用してください。また、老朽化したものや極端に長いものは使用しないでください。

●**エアホース取り付け具は確実に取り付けてください。**

取り付け不備によりエアホースがはずれた場合、エアの噴射によりエアホースが飛び回り非常に危険ですので、エアホース取り付け具はエアホースおよびエアツールに確実に取り付けてください。

△警告

■**作業環境は**

●**作業場は十分に明るくし、いつもきれいに保ってください。**

暗い作業場や散らかった作業場は事故の恐れがあります。照明等に留意し、整理整頓を心がけてください。

●**爆発の危険性のあるところでは使用しないでください。**

エアツールは引火や爆発の恐れがある場所では、危険ですので絶対に使用しないでください。

△警告

■**作業時の服装は**

●**きちんとした服装で作業してください。**

ダブダブの服やネックレス等の装身具は着用せず、作業に適した服装で作業してください。また、長い髪の毛がエアツールにかからないように、帽子等で覆ってください。

●**作業保護具を使用してください。**

人体保護のため、作業に応じヘルメット、保護めがね、耳栓、防塵マスク、防振手袋、安全靴等の作業保護具を使用してください。

△警告

■**エアツールを使用する場合は**

●**可動部に手や布きれ等を近づけないでください。**

使用中は非常に危険ですので、可動部に手や布きれ等を絶対に近づけないでください。

●**無理な姿勢での作業は危険です。**

エアツールを確実に保持し、突発的な動きにも対応できるようにして、安

定した作業姿勢で作業をおこなってください。

● **不意な始動を避けてください。**

エアホースを接続する場合は、始動スイッチが停止位置になっているかを確認してください。またエアツールを持ち運びする場合は、始動スイッチに手をかけないでください。

● **吊り下げは確実に行ってください。**

本機をバランス等にて吊り下げる場合は、バランス等の引っかけ具が、確実に取り付けられているか確認してください。また引っかけ具は、定期的な損傷がないか点検し、必要なら交換してください。

● **電気に対し接触させないでください。**

エアツールは電気との接触に対し絶縁されていませんので、電気に対し接触させないように注意して使用してください。

● **異常を感じた場合は直ちに使用を中止してください。**

使用中に異常を感じた場合は直ちに使用を中止して、点検・修理を依頼してください。

△ **警告**

■ **その他**

● **指定された用途以外に使用しないでください。**

指定用途以外への使用は事故の原因になりますので、絶対におこなわないでください。

● **改造は絶対にしないでください。**

改造をおこなったの使用は事故の原因になりますので、絶対におこなわないでください。

● **部品を取り外さないでください。**

取り付けである部品やねじ類を取り外しての使用は、事故の原因になりますので、絶対におこなわないでください。

● **危険が予想される場合はエアの供給を止め、エアホースをエアツールからはずしてください。**

使用しない、または保守点検をおこなう場合や、先端工具の交換をおこなう場合、その他危険が予想される場合は、必ずエアの供給を止め、エアホースをエアツールからはずしてください。

△ **注意**

■ **エアツール使用時の基本的な注意事項について**

● **作業は十分注意しておこなってください。**

軽率な行動や非常識な行動および疲れている場合の使用等はけがや事故の原因となりますので、油断しないで、十分注意して作業をおこなってください。

● **関係者以外は近づけないでください。**

安全にお使いいただくために

作業場所には作業関係者以外は近づけないでください。特に子供は危険です。

●無理な使用はおこなわないでください。

過負荷での無理な使用は、エアツールの破損や故障の原因となりますので、能力以内で使用するようにしてください。

●排気の方角には十分に注意してください。

事故や疾病の原因になりますので、排気が直接目や耳にあたらぬように、排気方向に注意して使用してください。

●エアツールの取り扱いは丁寧にしてください。

乱暴な取り扱いは事故や故障の原因となりますので、エアツールを投げたり落としたりして、衝撃を与えないようにしてください。

●エアホースの取り扱いは丁寧にしてください。

エアホースをエアツールの支えや、上げ下げに使用しないでください。エアホースの破損は事故の原因となります。

●高所作業はエアツールの落下に注意してください。

エアツールの落下による事故を防止するため、高所での作業時は安全ワイヤの使用等の落下防止策を講じてください。

●保管にも十分な配慮を行ってください。

使用しない場合は、十分に手入れをおこない、子供の手の届かない、乾燥した場所に保管してください。

●騒音に関する法条例に注意してください

騒音に関しては、法令および各都道府県等の条例で定める規制があります。周囲に迷惑をかけないよう規制値以下で使用されることが必要です。必要に応じ、遮音壁等を設けてください。

●適当に休憩をおこなってください。

長時間の連続作業は疾病等の原因となりますので、適当に休憩を行ってください。また痛み等、身体に異常を感じた場合は、直ちに使用を中止し、医師の診断を受け、その指示に従ってください。

△注意

■保守・点検・修理について

●使用前には必ず点検を行ってください。

使用前にはねじ部の緩みや部品の損傷等がないか必ず点検してください。性能の低下や故障の原因となるばかりでなく、危険をとまぬ恐れがあります。

●保守・点検を必ず実施してください。

安全に効率良く作業していただくために、保守・点検を怠らないでください。

安全にお使いいただくために

- 修理は弊社または弊社認定（指定）のサービス工場にご依頼ください。
修理は弊社または弊社認定（指定）のサービス工場に、お買い求めの販売店または代理店等を通じ、ご依頼ください。お客様の勝手な処置により、事故や不具合が生じた場合は責任を負いかねますので、あらかじめご了承ください。

ご使用前に

- ・開梱後、付属品が正しく入っているかご確認ください。
- ・取扱説明書を必ず読んで、十分理解するまで製品の操作・先端工具の交換などはおこなわないでください。
- ・取扱説明書は、いつも手元においてご使用ください。分からないことができた時は、取扱説明書で必ず確かめてください。
- ・取扱説明書は、紛失しないよう大切に保管してください。紛失した時は、新しいものを改めて注文してください。

用途

- ・当製品は、「ボルト・ナットの締め付けおよび緩め作業をエアコンプレッサによる圧縮空気を動力源としておこなう」ことを目的に設計開発されたエア工具です。
以下のような異なる用途での使用はおやめください。
 - *仕様を示された能力以上または以下での使用。
 - *当製品を改造、溶接などをおこなっての使用。
 - *圧縮空気以外（酸素、アセチレンガス、プロパンガスなど）の動力源の使用。
 - *水中や引火雰囲気内での使用。
 - *その他予想外の異なる用途での使用。

安全性に関連する記号



振動発生の
恐れがあります



保護眼鏡を
着用してください



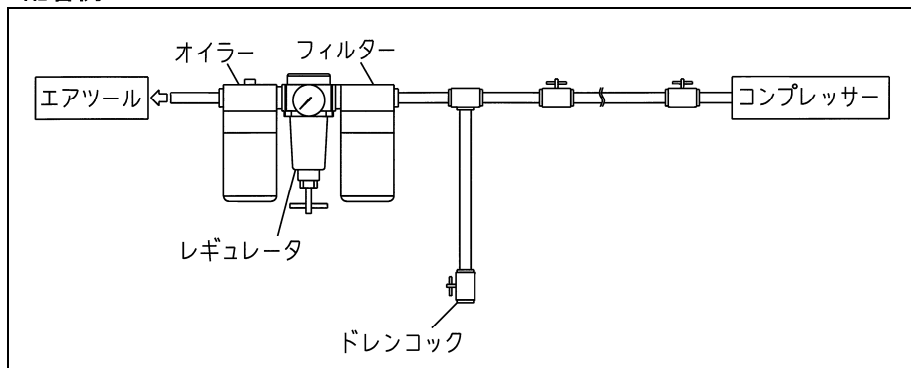
耳栓を
着用してください



製品ご使用前に
説明書を熟読してください

使用方法

配管例



仕様

騒音値	L_{PA}	[dB]	89.9
	L_{WA}	[dB]	100.9
振動値 ahv		[m/s ²]	5.9

※振動値 ahv=周波数補正振動加速度実行値の3軸合成値

株式会社ベツセル: 〒537-0001
大阪市東成区深江北2丁目17番25号

製品名: エアインパクトレンチ

機種名: GT-2000P,2000PL

2006/42/EC(98/37/EC)

JIS B 7761-1

振動測定規格: JIS B 7761-3

JIS B 7762-7

$$\text{日振動ばく露量 } A(8) = ahv \times \sqrt{\frac{T}{8}} \quad (\text{m/s}^2)$$

T=1日のばく露時間(1日の実使用时间)

騒音測定規格: ISO15744

使用方法

- ・操作・運転について、必ず取扱説明書の手順をお守りください。
- ・以下のような使用は禁止します。
 - *ソケットやビットが正しく取り付けられていない、またはサイズが合っていない。
 - *作業姿勢が不安定である、正しく保持できない、操作できない。
 - *滑りやすい、安定しない環境である。
 - *ネジ締めおよび緩め以外の用途に使用する。
 - *改造改変、部品の不足した状態で使用する。
 - *仕様に示されたエア圧力以上で使用する。
 - *当製品の使用負荷を超えた条件で使用する。など。
- ・不使用時、不在時は、エアの供給を止め配管から取り外してください。

作業前の準備

●使用空気圧力の確認

当製品の使用空気圧力は 0.6MPa です。仕様以外の圧力で使用しますと、性能や寿命、安全性に影響しますので、必ずお守りください。

●ドレンの除去

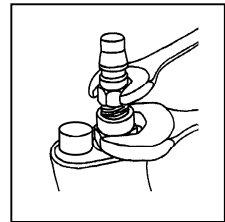
水分や配管内の錆などの不純物が当製品に入りますと、故障の原因となります。コンプレッサーに溜まったドレンは使用前後に必ず除去してください。また、乾燥した正常なエアを当製品に供給するため、必ずエアフィルターを取り付け水分と不純物を取り除いてください。

●ホースの選定

エア供給用のエアホースのサイズは仕様をご参照ください。エアホース内径が小さいと圧力降下により十分な能力が発揮できません。またホースが長すぎても同様に圧力降下が発生しますので、ご注意ください。

●プラグの取り付け

インレットブッシュをスパナ(19)で固定し、プラグを締め付けてください。



●エア継ぎ手

付属のエア継ぎ手を使用する場合は、互換性のあるエア継ぎ手をご購入の上、接続してください。当製品に直接ホースを取り付ける場合は、別途市販のホース接続継ぎ手をご購入ください。どちらも、接続するホースのサイズをお確かめください。

使用方法

●購入後最初の始動

購入後最初に本機を取り付ける時や、ホースをとりかえた時は配管内、ホース内のゴミを十分吹き去ってから本機を取り付けてください。又、本機内のオイルが排気と共に吹き出しますので、数秒間空転を行ってください。

●給油

モーター部の潤滑と不純物排出のため、給油をおこなってください。ルブリケータを配管に取り付けて自動滴下で供給すると便利です。または使用前と使用後にエア供給口より手差しで給油してください。(使用オイル:ISO VG10相当の作動油)

●給油後ご使用の時

排気と共にオイルが吹き出しますので数秒間空転を行ってください。(先端工具をつけ、無負荷での空回転は行わないでください。)

●先端工具(ソケット・ビット・延長棒等)

手動用の先端工具を使用しますと、破損し破片が飛散する等の事故の恐れがありますので、本機に使用する工具は、必ず動力工具用を使用してください。

●ボルト・ナットの締め付け

ボルト・ナットの締め付けは、手で1～2山入れてから本機で締めてください。締め付け完了後には直ちにレバーを離し、回転を止めてください。続けるとボルトがねじ切れたり、ハンマー部品の破損を早めます。

●ボルト・ナットが緩まない時

ボルト・ナットが緩まない時あるいは必要トルクに締まらない時は、より大きい能力のインパクトレンチが必要です。

●目的以外の使用

本体の破損の原因になりますので、ぶつけたり、叩いたりしないでください。又、有機溶剤につけたりすると変形しますのでご注意ください。

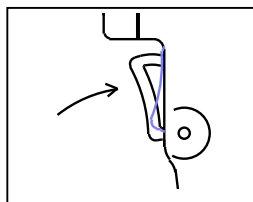
●寒冷地での使用

冬季には、内部に溜まった水分が凍結する場合があります。使用後には必ず注油し水分を除去してから保管してください。

使い方

● 始動と停止

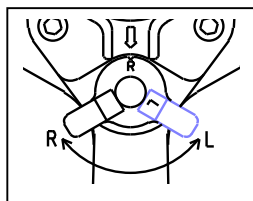
1. エア継ぎ手を接続します。
2. コンプレッサーよりエアを供給します。
3. 始動レバーを引くと、作動します。
4. 始動レバーを戻す(離す)と、停止します。



● 回転方向の切り替え

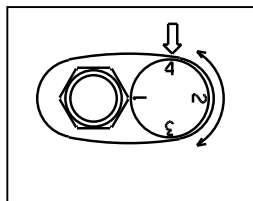
左右切替バルブを「R」側に回すと、右回転します。
「L」側に回すと、左回転します。

始動レバーを引いている時に左右切替バルブを操作しないでください。



● トルクの調節

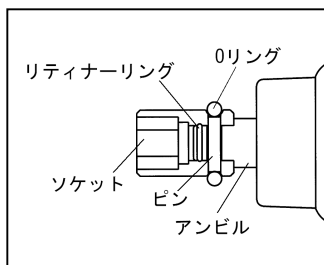
アジャストダイヤルの数字を矢印の位置にあわせることで調整できます。「1」で最小、「4」で最大です。



● ソケットの取り付け

アンピルの先端(ロドライブ部)にピン穴があります。これはソケットのピン穴と位置を合わせてピンとOリングで固定するためのものです。図の様に付けてください。

※確実に固定しないと、ソケットが外れ飛び出す場合があります、大変危険です。又、ソケットを付けての空転は絶対に行わないでください。



取り扱いについて

- * 回転部に手を触れないでください。けがの原因となり大変危険です。
- * 先端工具をつけて、無負荷での空回転は、おこなわないでください。
- * 回転方向を確認してから、製品を起動してください。
- * 作業を中断する時や終了する時又、先端工具及び部品交換時は必ずエアを確実に遮断してください。
- * 排気を人や火気に向けしないでください。排気には油が含まれており危険です。
- * 作業中、摩擦で先端工具やねじが熱くなっていますのですぐに触らないでください。
- * 異常発生時は、すぐにエアを遮断し、作業を中止してください。

保守点検／修理

- ・安全に安心してお使いいただくため、定期点検をお勧めします。点検を怠りますと、製品の性能や寿命・安全性に影響します。
- ・点検(保守)は、本製品の取扱説明書をよく読み熟知した方以外はおこなわないでください。
- ・修理は、ご購入の販売店にご依頼ください。ご自身ではおこなわないでください。

製品の点検範囲

点検をおこなう際は、必ずホース継ぎ手ははずし、エアが供給されていない状態で行ってください。

使用頻度により部品の耐久性は異なります。

打撃音、回転音に異常がある場合(打撃リズム等通常と異なった場合、作業効率が低下した場合、希望のトルクに締まらなくなった場合)等は点検修理を依頼してください。又、打撃音に異常がある場合は振動値も大きくなっている場合があるので、点検修理を依頼してください。

●アンビル(先端のロドライブ部、ビット差込口)

磨耗…性能低下、能率低下になります。早めの交換をお勧めします。

亀裂…折損の恐れがあり危険ですので、使用を中止し修理を依頼してください。

●ソケット(ビット)

四角部・六角部の磨耗…性能低下、アンビルからの抜け落ちの原因となります。

亀裂…破損・飛散の恐れがありますので、使用を中止し新品と交換してください。

●ホース継ぎ手

ネジの緩み…ホース外れにより危険ですので、締めなおしてください。

磨耗…継ぎ手の接続が緩み、外れる場合がありますので新品と交換してください。

●始動レバー

戻り具合…正しく戻るかどうか確認してください。戻らない状態で使用すると接続した瞬間に作動を始めるので大変危険です。修理を依頼してください。

●各部ボルト

緩み…エア漏れや作動不良の原因となります。締めなおしてください。

●表面の傷

亀裂…破損・飛散の恐れがありますので、使用を中止し修理を依頼してください。

異常時の処置

エアーツール・トラブルシューティング

症状	原因	処置
1. 回らない	エアがきていない	エアの開栓
	ホースがねじれている	ホースをのばす
	エア圧が低い	エア圧力調整
	注油不足による部品の錆	注油／分解調整
	ごみの混入	分解調整
	モーター部・ハンマー部の故障(磨耗・破損等)	部品交換
2. 回転にムラがある	エア流量が不足している	エア流量確認
	エア圧が低い	エア圧力調整
	注油不足による部品の錆	注油／分解調整
3. 回転が止まらない	弁ボールの劣化、破損	部品交換
	スロットルの変形	部品交換
	スロットルスプリングの変形	部品交換
	スロットル部に異物混入	分解調整
4. 左右切替バルブやアジャストダイヤルが固定されない	止スプリング、止ボールの磨耗・破損・錆(止ボールがでない)	部品取り付け
5. 左右切替バルブやアジャストダイヤルで調整できない	錆・ごみの混入	分解調整
6. ソケットが固定できない	ソケットピンの破損	部品交換
7. エア漏れがする	バルブ部の異常(リング、弁ボール、スプリングの磨耗・破損・錆)など	部品交換
8. 異音がする	各部の緩み	分解調整
	ベアリングの磨耗・破損	部品交換
	ハンマーケースや衝撃部の破損	部品交換
	ローター羽根の磨耗・破損	部品取り付け
	ローター羽根が回転時にでない	部品取り付け
	注油・オイル切れ	注油／分解調整
9. 無負荷では回るが負荷時には止まったり力が落ちたりする	ハンマー部部品の摩耗・破損	部品交換
10. 水がでる	ドレンが溜まっている	ドレン除去

不良や異常のままでの使用した場合、製品の故障や事故の原因となりますのですみやかに修理を依頼してください。修理はお買い上げの販売店にご相談ください。

保管

・埃、湿度、結露、凍結に注意して、安定した場所に保管してください。

分解図／部品表

日本語
English

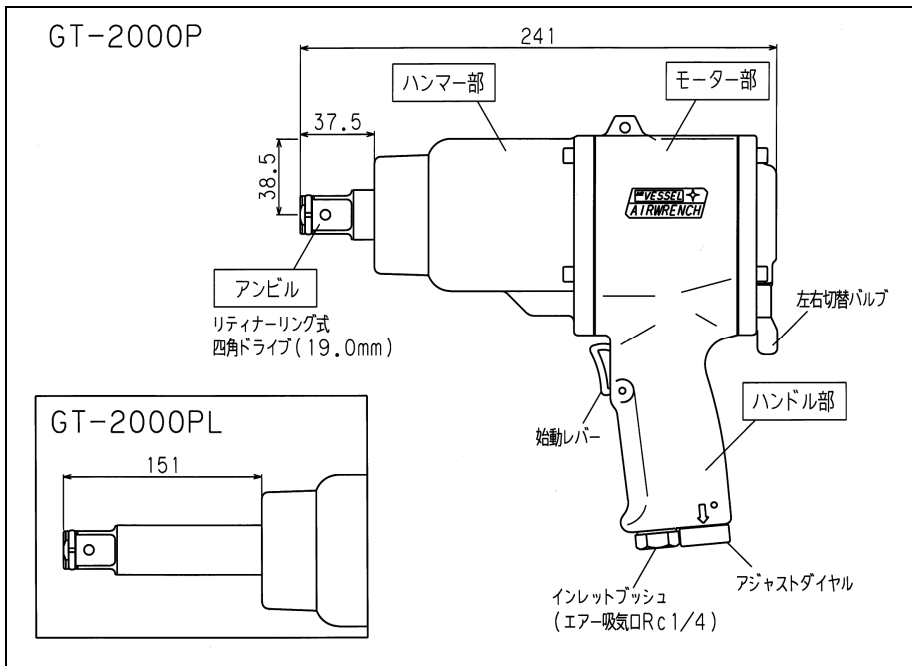
仕様

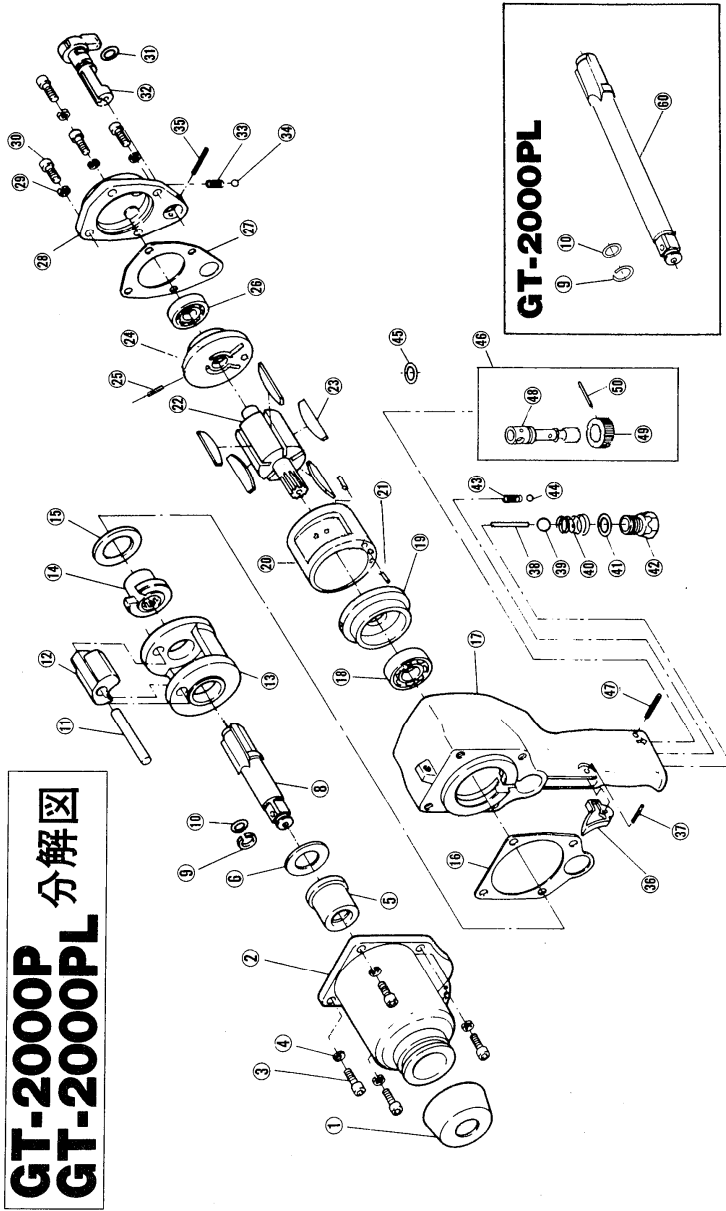
仕様	単位	GT-2000P	GT-2000PL
四角ドライブ	mm	19.0	19.0
能力(普通ボルト)	mm	20	20
トルク範囲	Nm	98.0~470.7	98.0~441.3
重量	kg	4.3	4.7
全長	mm	241	354
無負荷回転速度	min ⁻¹	5000	5000
使用空気圧力	MPa	0.6	0.6
空気消費量	m ³ /min	0.45	0.45
使用コンプレッサー	kw	1.5 以上	1.5 以上
使用エアホース(内径)	mm	9.5	9.5
ホース継手	Rc	1/4	1/4

付属品

GT-2000P	● バツセルコンセント(BPB-2)	1 個
GT-2000PL	● L 型レンチ(対応 5mm)	1 個

各部名称／外観図





GT-2000P
GT-2000PL
分解図

分解図／部品表

日本語

English

部品表

部品番号	部品名称	サイズ	1台数量
1	カバーシール		1
2	ハンマーケース CP		1
3	六角穴付ボルト	※M6×22	4
4	スプリングワッシャー	※M6	4
〈5〉	ハンマーケース圧入ブッシュ	(部品番号 2 に内蔵)	1
6	スラストワッシャー		1
8	アンビル CP (2000P)		1
〈9〉	リテーナリング	(部品番号 8・60 に内蔵)	1
〈10〉	リテーナリング Oリング	※P14 (部品番号 8・60 に内蔵)	1
11	ハンマーピン		1
12	ハンマー		1
13	ハンマーフレーム		1
14	ドライバー		1
15	スパーサー		1
16	モーターケースパッキング(前)		1
17	モーターケース CP		1
〈18〉	ベアリング	※6202 (部品番号 19 に内蔵)	1
〈19〉	エンドプレート(前)CP	(部品番号 17 に内蔵)	1
〈20〉	シリンダーCP	(部品番号 17 に内蔵)	1
〈21〉	シリンダー固定ピン	※SP3×10 (部品番号 20 に内蔵)	2
22	ローター		1
23	ローター羽根		5
24	エンドプレート(後)CP		1
〈25〉	エンドプレート固定ピン	※SP3×8 (部品番号 24 に内蔵)	1
〈26〉	ベアリング	※6202 (部品番号 24 に内蔵)	1
27	モーターケースパッキング(後)		1
28	ケースカバーCP		1
29	スプリングワッシャー	※M6	4
30	六角穴付ボルト	※M6×22	4
31	左右切替バルブ Oリング	※P11	1
32	左右切替バルブ		1
〈33〉	左右切替バルブ止スプリング	S3.8×7×0.5 (部品番号 28 に内蔵)	1

分解図／部品表

部品番号	部品名称	サイズ	1台数量
<34>	左右切替バルブ止ボール	※4mm (部品番号 28 に内蔵)	1
35	左右切替バルブ固定ピン	※SP3×22	1
36	始動レバー		1
37	始動レバーピン	※SP3×16	1
38	スロットル		1
39	弁ボール	※3/8	1
40	スロットルスプリング		1
41	インレットプッシュOリング	※P12	1
42	インレットプッシュ	Rc1/4	1
<43>	アジャストダイヤル止スプリング	S3.8×7×0.5 (部品番号 17 に内蔵)	1
<44>	アジャストダイヤル止ボール	※4mm (部品番号 17 に内蔵)	1
45	アジャストバルブOリング	※P9	1
46	アジャストバルブ CP		1
47	アジャストバルブ固定ピン	※SP3×20	1
48	アジャストバルブ		1
<49>	アジャストダイヤル	(部品番号 46 に内蔵)	1
<50>	アジャストダイヤルノックピン	※SP3×22 (部品番号 46 に内蔵)	1
60	ロングアンビル CP (2000PL)		1

< >印につきましては内蔵部品ですので、ご注文の際はご注意ください。

アフターサービスについて…

1. 本機の性能、品質または取り扱いなどについてのお問い合わせの事項は、販売店（又は当社）へご連絡ください。
2. 修理に必要な部品は分解図に記載された部品番号、部品名を確認の上で要求してください。
3. 修理等は下図の経路でご送付ください。直接当社へ送付されるとかえって遅れますので避けてください。

ユーザー → **販売店** → **当社**

注 ※印部品は一般市販されております。

市販品ご使用の際は品質のよいものをお選びください。

- 本書の内容は予告なく変更することがあります。

検査合格証

製造番号

本機は性能およびその他の出荷検査をした後出荷されております。
本機が性能を発揮するために、この取扱説明書をよくお読みいただき、正しくご使用ください。

検査:



VESSEL Co., Inc.

株式会社ベッセル

お客様お問い合わせ窓口(企画開発部)

フリーコール 0120-999-914

9:00-17:00 ※土・日・祝日は除きます

本 社 〒537-0001 大阪市東成区深江北2丁目17番25号 TEL.06-6976-7771 FAX.06-6971-1309
 東 京 支 店 〒143-0025 東京都大田区南馬込5丁目43番13号 TEL.03-3776-1831 FAX.03-3776-5607
 大 阪 支 店 〒537-0001 大阪市東成区深江北2丁目17番25号 TEL.06-6976-7771 FAX.06-6971-1309
 名古屋営業所 〒457-0014 名古屋市南区呼続四丁目3番1号 TEL.052-821-9575 FAX.052-824-4167
 福岡営業所 〒812-0016 福岡市博多区博多駅南6丁目1番22号 TEL.092-411-5710 FAX.092-411-5770
 札幌出張所 〒065-0011 札幌市東区北11条東14丁目1番1号 TEL.011-711-5003 FAX.011-704-4725
 仙台出張所 〒984-0002 仙台市若林区卸町東1丁目2番10号 TEL.022-236-1567 FAX.022-232-7959
 広島出張所 〒733-0035 広島市西区南観音7丁目8-11 TEL.082-291-0106 FAX.082-295-1727

<http://www.vessel.co.jp/>